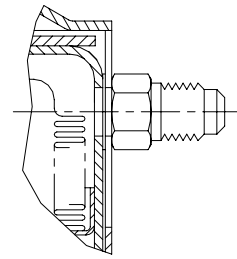
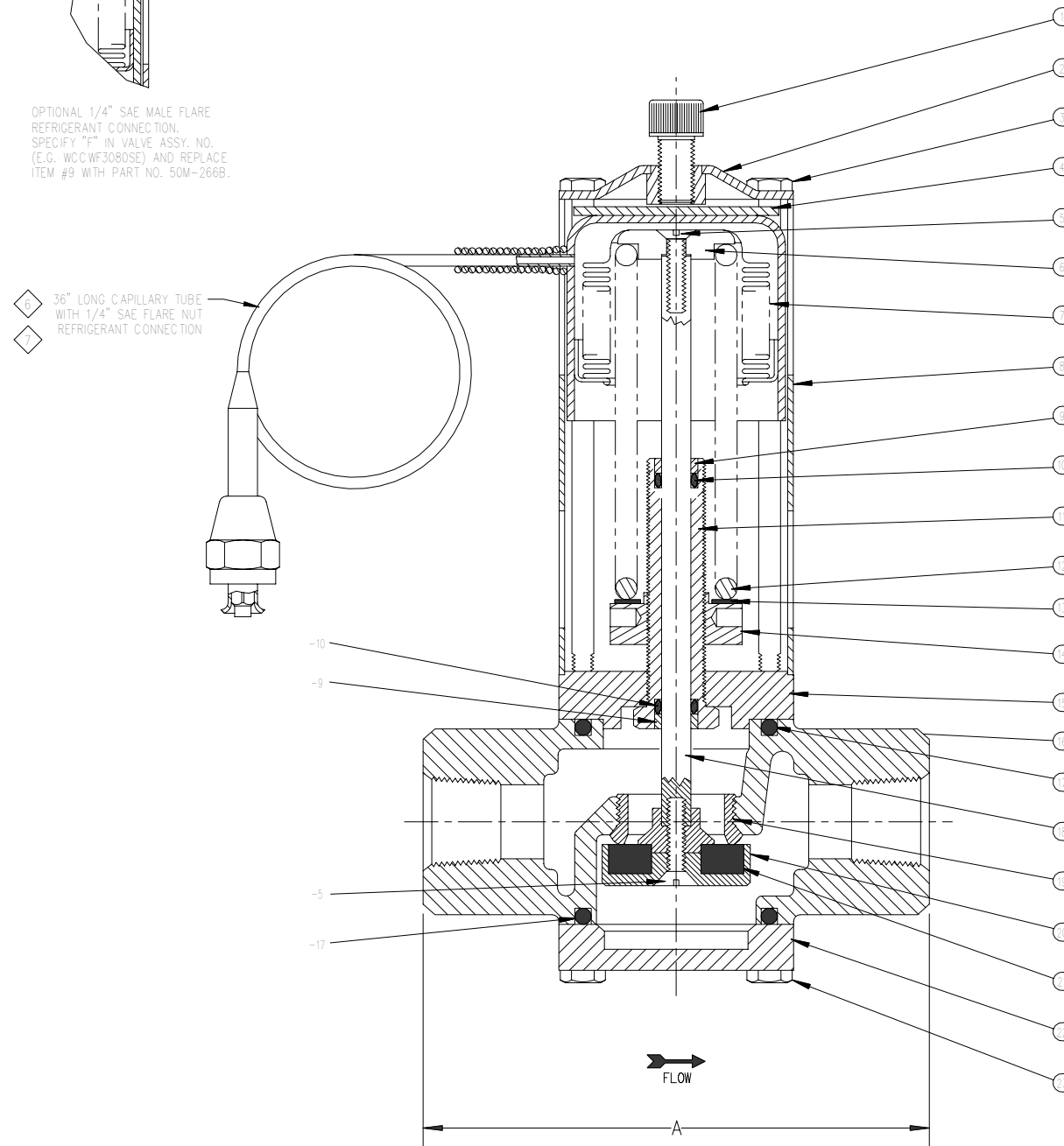
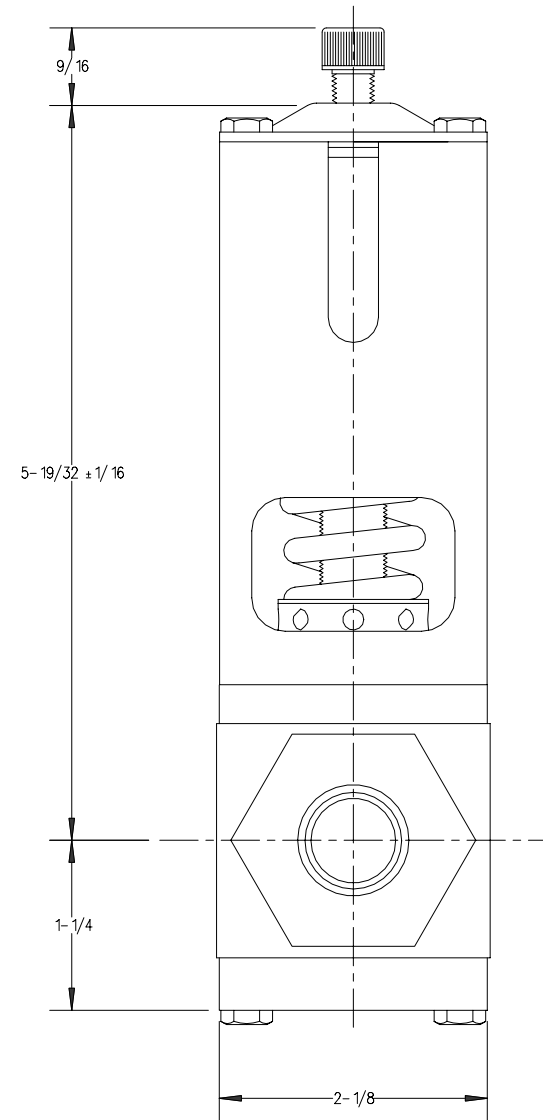


REVISIONS			
LTR	DESCRIPTION	DATE	APPROVED
G	REDRAWN CAD	1/2/07	TSB
H	ADD NOTES 6 AND 7	10/19/09	TSB



OPTIONAL 1/4" SAE MALE FLARE REFRIGERANT CONNECTION. SPECIFY "F" IN VALVE ASSY. NO. (E.G. WCCWF3080SE) AND REPLACE ITEM #9 WITH PART NO. 50M-266B.

36" LONG CAPILLARY TUBE WITH 1/4" SAE FLARE NUT REFRIGERANT CONNECTION



NOTES:

- DESIGN WATER PRESSURE: 350 PSIG. FOR WATER PRESSURES UP TO 400 PSIG, SPECIFY ADD "H" AFTER THE VALVE SIZE IN THE PART NUMBER. FOR WATER PRESSURES UP TO 500 PSIG, SPECIFY ADD "EH" AFTER THE VALVE SIZE IN THE PART NUMBER. (EX: WCCW-3070H-SE OR WCCW-3060EH-SE)
- HYDROSTATIC TEST PRESSURE: 525 PSIG FOR STANDARD, 600 PSIG FOR "H" DESIGNATION, 750 PSIG FOR "EH" DESIGNATION
- START-TO-OPEN REFRIGERANT PRESSURE ADJUSTMENT RANGE: 50 TO 225 PSIG.
- PRESSURE RISE ABOVE START-TO-OPEN POINT TO REACH FULL Cv: 45 PSIG APPROXIMATELY.
- MAXIMUM REFRIGERANT PRESSURE: 351 PSIG.
- USE A "C" IN THE PART NUMBER AFTER THE SIZE (EX WCCW3080CSE) TO DESIGNATE NO FLARE CONNECTION. A 1/4" OD STUB WILL BE PROVIDED AT THE END OF THE CAPILLARY.
- THE CAPILLARY NORMALLY POINTS TO THE UPSTREAM SIDE OF THE VALVE AS SHOWN ON THIS DRAWING. USE A "D" IN THE PART NUMBER AFTER THE SIZE (EX WCCW3060DSE) TO DESIGNATE THAT THE CAPILLARY POINTS TO THE DOWNSTREAM SIDE OF THE VALVE.

SIZE	Cv	VALVE PART NO.	⑩ BODY	⑪ SEAT	⑫ DISC	⑬ DISC RETAINER	A
1	6.0	WCCW-3080-SE	46M-335A	N-7096B	3K1-11	45M-8A	4-15/16
3/4	4.5	WCCW-3070-SE	46M-334C	N-7148C	3K1-10	45M-7A	4-3/8
1/2	2.6	WCCW-3060-SE	46M-334B	N-7134D	3K1-10	45M-7A	4-3/8
3/8	2.2	WCCW-3050-SE	46M-334A	N-7134D	3K1-10	45M-7A	4-3/8

ITEM	PART NO.	QTY.	DESCRIPTION	MATERIAL	MAT'L SPEC
23	1K2-85	4	SCREW, LOWER COVER PLATE	ZINC PLT. STEEL	COMMERCIAL
22	W-3070-15B	1	COVER PLATE, LOWER	BRASS	COMMERCIAL
21	SEE TABLE	1	SEAT DISC	SYN. RUBBER	COMMERCIAL
20	SEE TABLE	1	SEAT DISC RETAINER	BRASS	COMMERCIAL
19	SEE TABLE	1	SEAT BEAD	BRASS	COMMERCIAL
18	27M-133A	1	VALVE STEM	STAINLESS STEEL	COMMERCIAL
17	4K2-6	2	O-RING	BUVA-N	COMMERCIAL
16	SEE TABLE	1	VALVE BODY	BRASS	COMMERCIAL
15	W-3070-16A	1	COVER PLATE, UPPER	BRASS	COMMERCIAL
14	45M-4	1	ADJUSTING NUT	BRASS	COMMERCIAL
13	3K1-107	1	THRUST WASHER	NYLATRON	COMMERCIAL
12	8M-1	1	POWER SPRING	ZINC PLT. STEEL	COMMERCIAL
11	N-7315B	1	ADJUSTING SCREW	BRASS	COMMERCIAL
10	4K1-9	2	O-RING	BUVA-N	COMMERCIAL
9	45M-253B	2	GUIDE, PILOT STEM	DELRI	COMMERCIAL
8	24M-2	1	BELLOWS SUPPORT	ZINC PLT. STEEL	COMMERCIAL
7	50M-51B	1	BELLOWS ASSY.		
6	7M-1	1	ABUTMENT PLATE	BRASS	COMMERCIAL
5	1K4-2	2	SCREW, ABUTMENT PLATE	STNLS. STL.	COMMERCIAL
4	21M-25	1	PLATE, MANUAL FLUSH	ZINC PLT. STEEL	COMMERCIAL
3	1K2-78	4	SUPPORT SCREW	ZINC PLT. STEEL	COMMERCIAL
2	50M-209	1	TOP PLATE ASSY.	ZINC PLT. STEEL	COMMERCIAL
1	1K6-22	1	SCREW, MANUAL FLUSH	STAINLESS STEEL	COMMERCIAL

PARTS LIST

<table border="1"> <tr><td>DRAWN</td><td>TSB</td><td>DATE</td><td>1-2-07</td></tr> <tr><td>CHECK</td><td>RL</td><td></td><td>1-2-07</td></tr> <tr><td>APPD.</td><td>TSB</td><td></td><td>1-2-07</td></tr> </table>	DRAWN	TSB	DATE	1-2-07	CHECK	RL		1-2-07	APPD.	TSB		1-2-07	<p>METREX VALVE CORP. 505 S. VERMONT AVE. GLENDORA CA. 91741 U.S.A.</p>
DRAWN	TSB	DATE	1-2-07										
CHECK	RL		1-2-07										
APPD.	TSB		1-2-07										
<p>TITLE</p> <p>3/8" - 1" 2 WAY WATER REGULATING VALVE HIGH WATER PRESSURE</p>													
<p>SIZE</p> <p>D 2 10 13</p>													
<p>FSCM NO.</p> <p>WCCW-3099</p>													
<p>DWG NO.</p> <p>SCALE: NONE</p>													
<p>SHEET 1 OF 1</p>													