

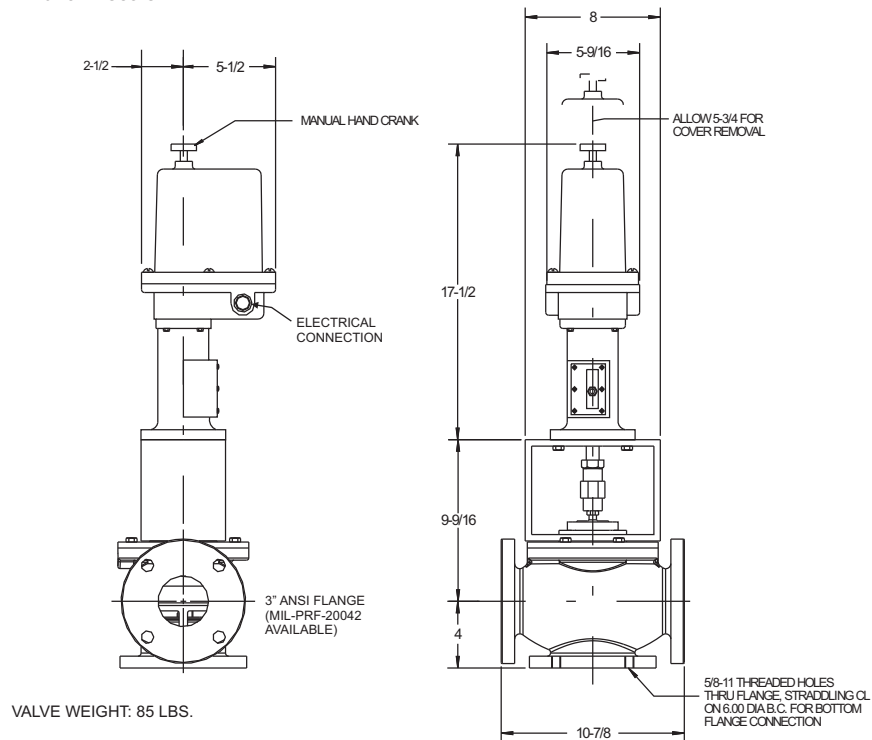
SELECTION CRITERIA

- Seawater service
- 115 VAC, 60Hz, 1 PH, 1A
- 4-20mA, 0-5 VDC or 0-10 VDC Command Signal
- Cv = 94, 50 or 36
- Manual Override
- ANSI Flanges (MIL-PRF-20042 available)
- 3-Way configuration (mixing or diverting)
- 3" NPS
- 150 PSI water pressure rating
- 220 PSI proof pressure

CONSTRUCTION DETAILS

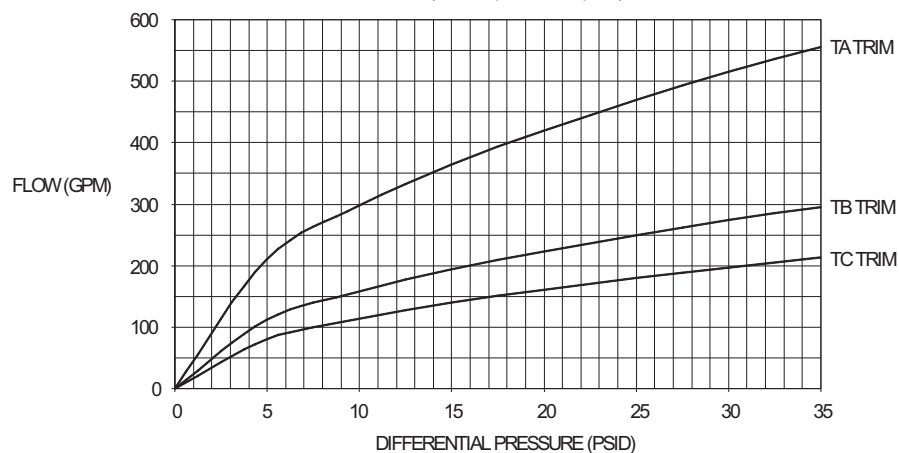
- Monel internals
- Buna-N seals

- Body material: Bronze (ASTM B61)



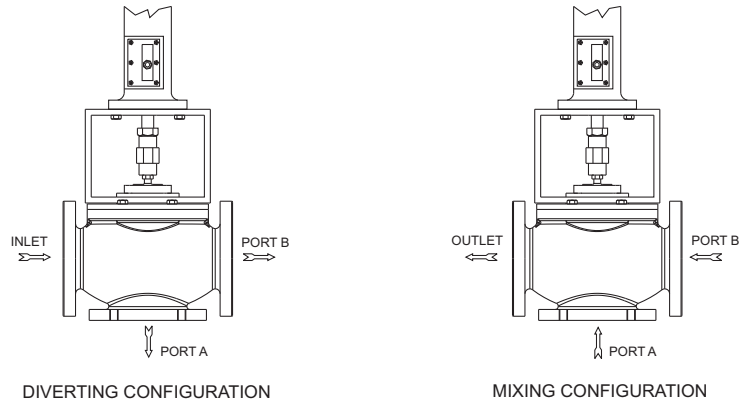
FLOW DATA

DIFFERENTIAL PRESSURE vs FLOW
(either port full open)



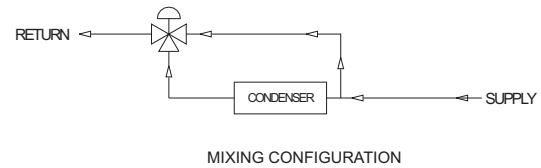
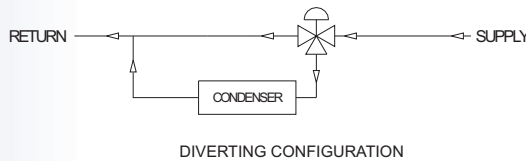
THREE TRIM SELECTIONS:
TA TRIM: Cv=94
TB Trim: Cv=50
TC Trim: Cv=36

VALVE CONFIGURATION



HEAD PRESSURE REGULATOR TYPICAL APPLICATION

- Typically used to modulate the cooling water through a condenser in response to a control signal from the condenser. Refrigerant head pressure is maintained over a wide range of operating conditions for a maximum system operating efficiency.



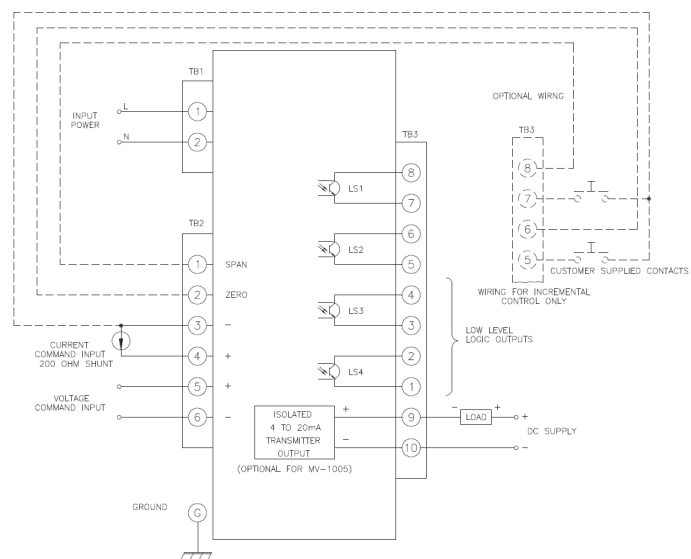
INSTALLATION & OPERATION

Valves can be mounted in any position without affecting performance. However, consider the accessibility of the electrical connections and the manual hand crank.

The valve features a Rotork VA-1000 Series linear actuator. The 1000 Series is a full featured unit with the ability to accept analog control signals.

The built-in servo drive amplifier controls the stepper motor's speed and direction. It also controls the actuator end limits, motor torque, deadband and 4-20mA transmitter.

The design offers smooth, highly accurate positioning, with positive position locks when not in motion.



TYPICAL WIRING DIAGRAM