

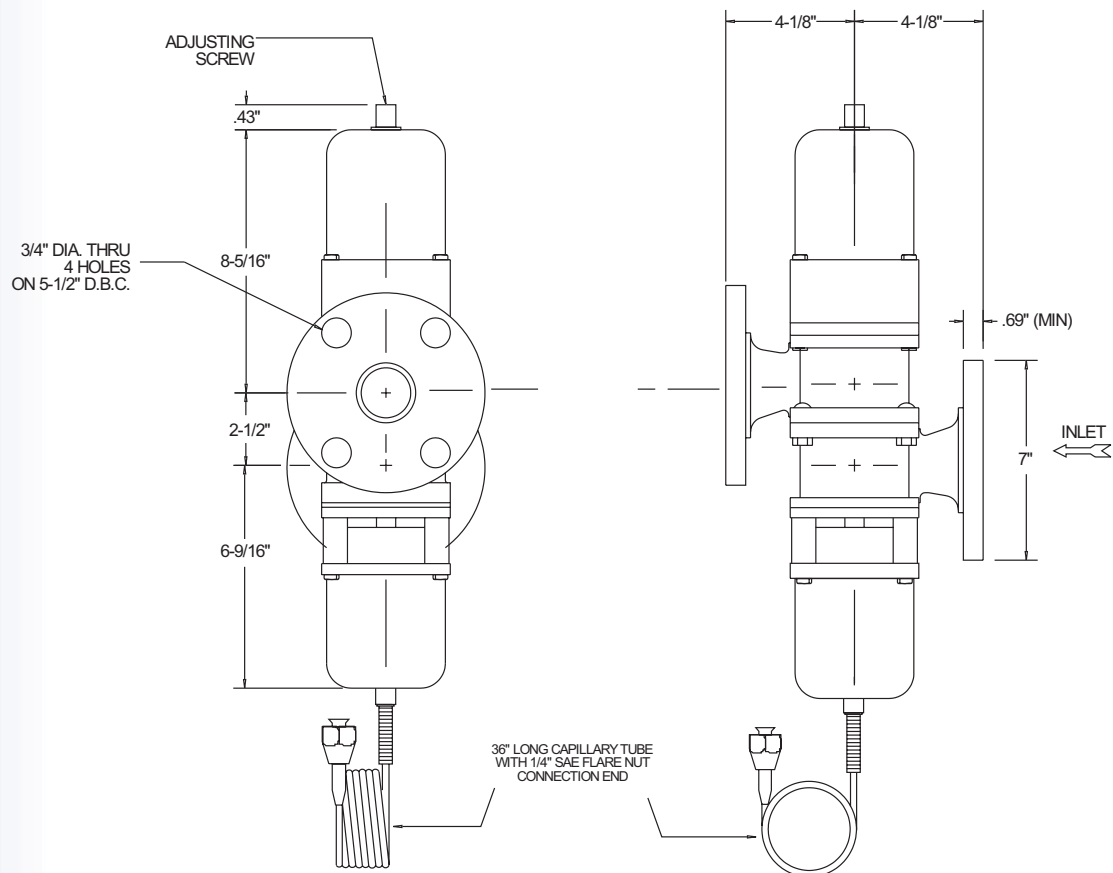
SELECTION CRITERIA

PAGE 1 OF 3

- Fresh water use
- Direct acting
- Actuation by pressure
- Cv = 60
- Flanged end connections
- 2-Way configuration
- 2-1/2" NPS
- 150 PSI water pressure rating
- 225 PSI proof pressure

CONSTRUCTION DETAILS

- Brass & stainless steel internals
- Buna-N diaphragms & seals
- Body material: Cast Iron
- Flange: ANSI B16.1 Class 125



ORDERING INFORMATION

- Use the valve sizing chart on the preceding page to determine the complete part number.

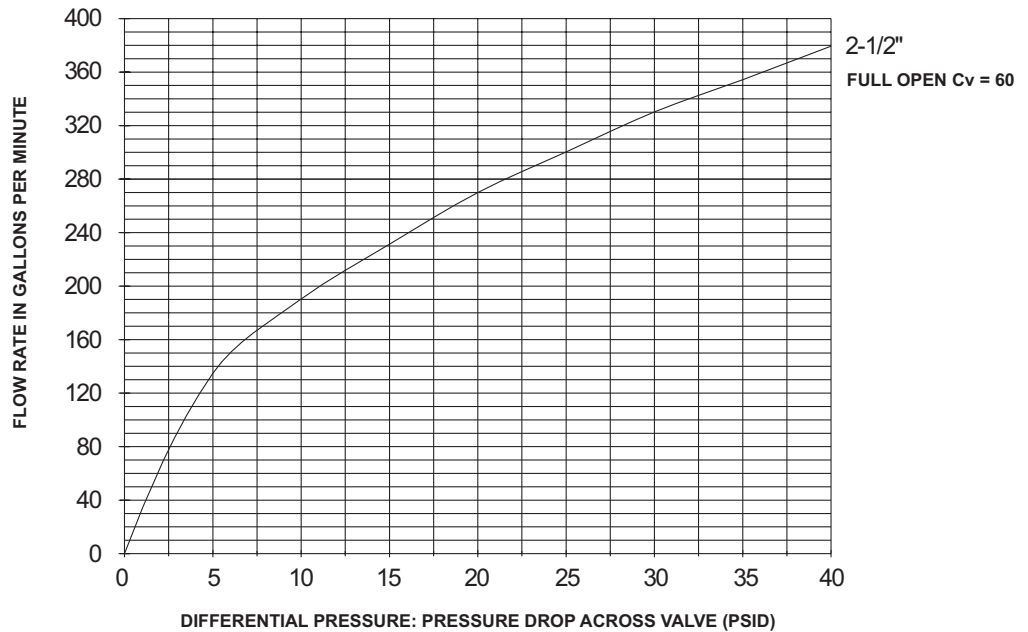
BASIC PART NO.: 30 P - 250 - FL-2W

ADJ. RANGE (TABLE I)

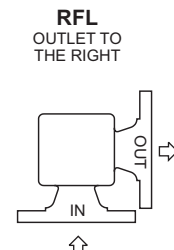
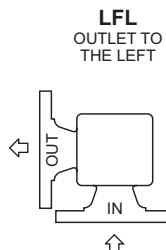
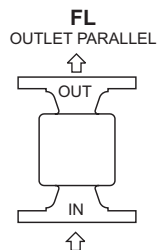
VALVE CONFIGURATION

ASSEMBLY NUMBER	CRACK POINT ADJ. RANGE	PRESS. RISE FOR FULL OPEN
301P	40 to 120	35 PSI
303P	120 to 225	45 PSI

FLOW DATA



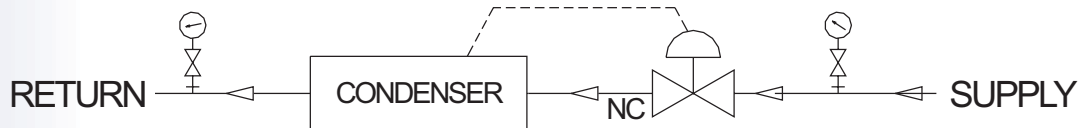
VALVE CONFIGURATION



2-WAY HEAD PRESSURE REGULATOR TYPICAL APPLICATION

PAGE 3 OF 3

- Typically used to modulate the cooling water through a condenser in response to a pressure signal from the condenser. Refrigerant head pressure is maintained over a wide range of operating conditions for a maximum system operating efficiency.



INSTALLATION INSTRUCTIONS

- Valves can be mounted in any position without affecting performance. However, for ease of adjustment consider the accessibility of the adjusting screw.
- Connect the incoming water line to the valve inlet. Direction of water flow (see drawing) is indicated by the arrow cast on the side of the valve body.
- Connect capillary tube (1/4" flare nut) to refrigerant head pressure connection on condenser.

GENERAL DESCRIPTION

- The 300 series valves are direct acting, modulating water regulating valves utilizing a diaphragm construction to give a smooth, well balanced action. The pressure-balanced design and low frictional co-efficient of the diaphragm assure fast response to changes in refrigerant pressure and protection against both gradual and sudden water pressure changes.

ADJUSTMENT

- The 300P 2-1/2" Valve is multi-range valves applicable to both R-134a and R-22 service. The refrigerant pressure at which the valve begins to open can be adjusted from (see Table I).

To adjust condensing head pressure, use the adjusting screw on top of the spring housing. Turn counter clockwise to raise the opening point (raise head pressure). Turn clockwise to lower the opening point (lower head pressure).

MANUAL OVERRIDE

- All valves may be manually flushed by inserting a screwdriver in openings at opposite sides of the spring housing and lifting the lower spring plate to open the valve. The valve adjustment is not affected by manual flushing.

