

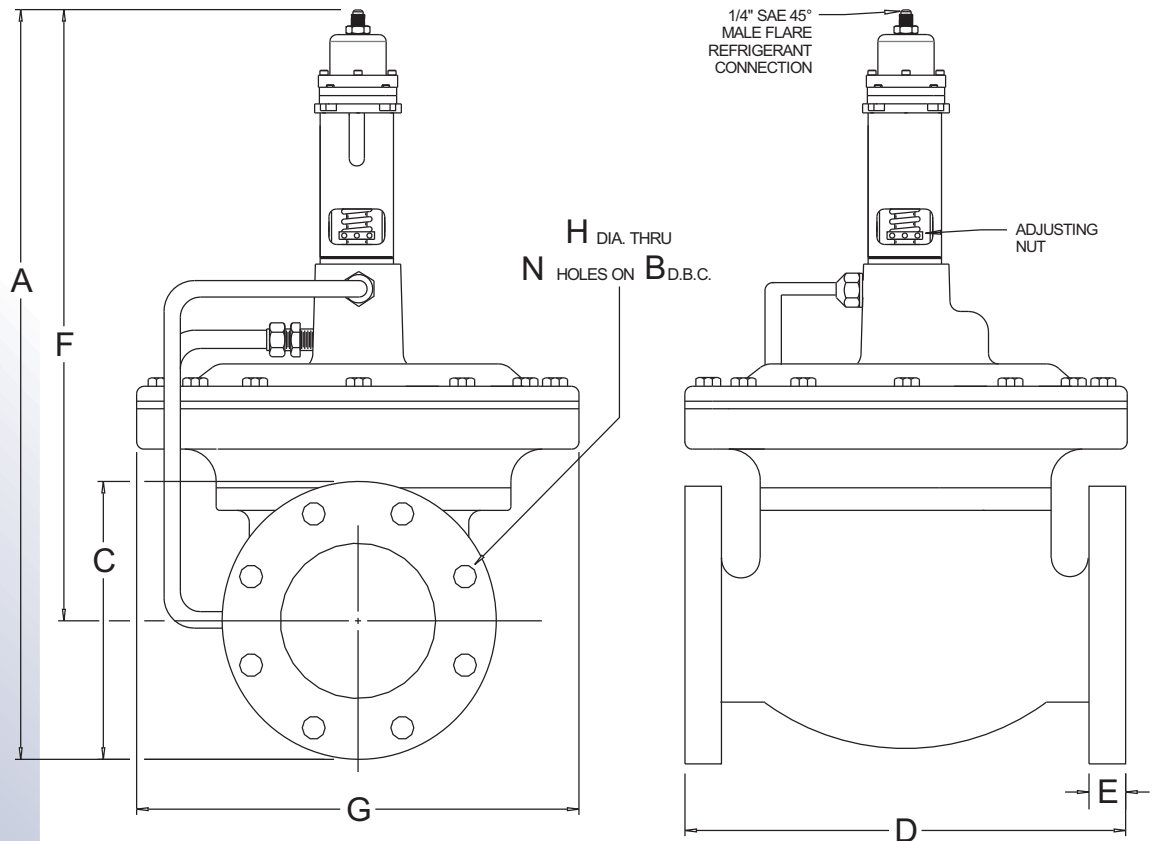
### SELECTION CRITERIA

PAGE 1 OF 4

- Fresh water use
- Pilot operated
- Actuation by pressure
- For use with R-410a
- 150 PSI water pressure rating (75 PSI on 8")
- ANSI flanged end connections
- 2-Way configuration
- 4", 6", & 8" sizes
- Patented 650 PSI rated actuator designed to meet UL207

### CONSTRUCTION DETAILS

- Brass & Stainless Steel internals
- Buna-N diaphragms & seals
- Cast Iron body & bonnet
- Flanges per ANSI B16.1 125#



### VALVE SIZING CHART

VALVE PART NUMBER	PIPE SIZE	C <sub>v</sub>	DIMENSIONS						FLANGE DATA			APPROX. SHIP WT.
			A	G	C	D	E	F	B	H	N	
CR65-3130-FL-2W	4"	SEE TABLE 1	23-3/16"	12-13/16"	9"	12-7/8"	1"	18-11/16"	7-1/2"	3/4"	8	155#
CR65-3150-FL-2W	6"	SEE TABLE 1	31-5/16"	19-7/8"	11"	20"	1"	21-13/16"	9-1/2"	7/8"	8	400#
CR65-3170-FL-2W	8"	SEE TABLE 1	31-1/16"	19-7/8"	13-1/2"	25-1/2"	1.12"	22"	11-3/4"	7/8"	8	600#

## ORDERING INFORMATION

- Use the valve sizing chart on the preceding page tables and charts below to determine the complete part number.

BASIC PART NO.: CR65 -3 -FL-2W-

VALVE SIZING CHART  
TABLE I

## PRESSURE RANGE ADJUSTMENT

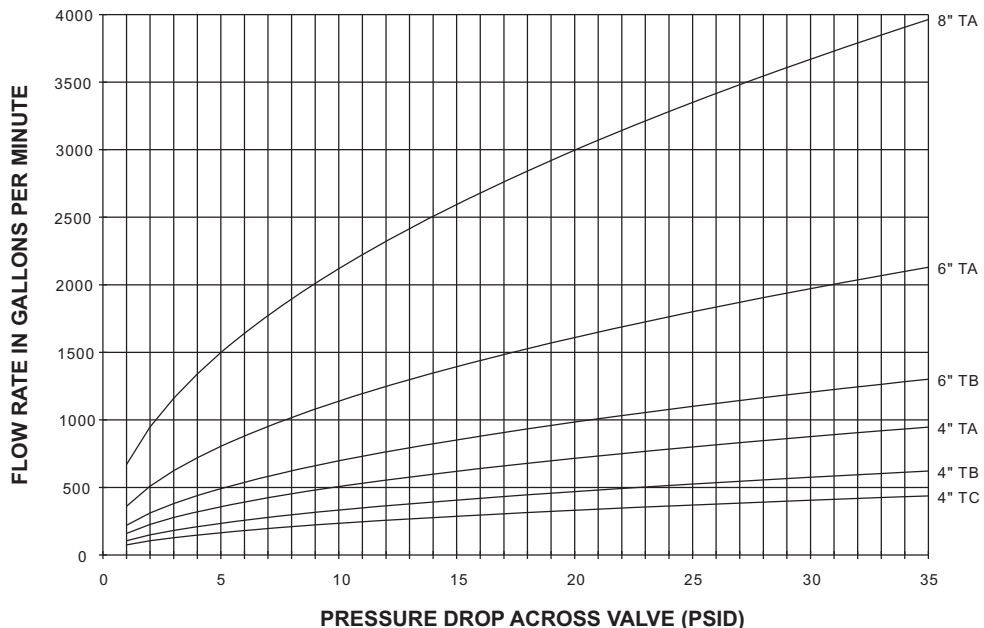
- The refrigerant pressure at which the valve begins to open can be adjusted from 150 to 330 PSI. A 30 PSI increase of pressure is required to open the valve fully.

## TRIM SELECTION

- TABLE 1 shows Cv for available trim for each size valve. If no trim is specified, TA trim is provided. Design, proof minimum/maximum differential pressures are also listed.

VALVE PART NUMBER	TRIM DESIGNATOR	PIPE SIZE	C <sub>v</sub>	DESIGN PRESS.	PROOF PRESS.	MIN. Δ P	MAX. Δ P
CR65-3130-FL-2W-TA	TA	4"	150	150	225	4	25
CR65-3130-FL-2W-TB	TB	4"	105	150	225	4	25
CR65-3130-FL-2W-TC	TC	4"	74	150	225	4	25
CR65-3150-FL-2W-TA	TA	6"	360	150	200	3.5	25
CR65-3150-FL-2W-TB	TB	6"	220	150	200	3.5	35
CR65-3170-FL-2W-TA	TA	8"	636	75	114	5	25

VALVE FLOW DATA

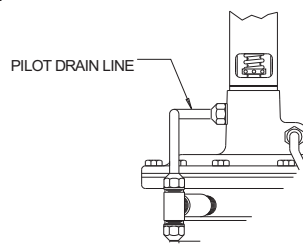


## INSTALLATION INSTRUCTIONS

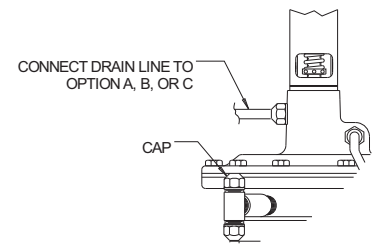
- 1) All valves should be mounted vertically on a horizontal water line. Can be installed upstream or downstream of the condenser.
- 2) Connect the incoming water line to the valve inlet. Direction of water flow (see drawing) is indicated by the arrow cast on the side of the valve body.
- 3) Connect 1/4" male flare fitting on valve actuator to refrigerant head pressure connection on condenser. Use 1/4" copper refrigerant tubing, capillary tubing or other suitable tubing with 1/4" flare nut connections. Maximum tightening torque on flare nut is 15 ft-lbs.

**Important:** The pilot drain line on the 2-way valve is factory plumbed to downstream side of the valve as shown in diagram. A minimum (see Table I) pressure drop across the pilot is required for condenser port to go full open. If available system pressure drop is less than this, disconnect the pilot drain line from the valve body and cap port in the side of the body, and connect drain line (3/8" minimum) from the pilot valve drain line fitting in the cover and run with minimum restriction to either:

- A) Atmospheric pressure such as a sump or reservoir which make full inlet pressure available across pilot valve.
- B) A connection downstream of the condenser. This increases the available drop to operate the valve by the amount of the pressure drop of the condenser.
- C) The suction side of pump if applicable.

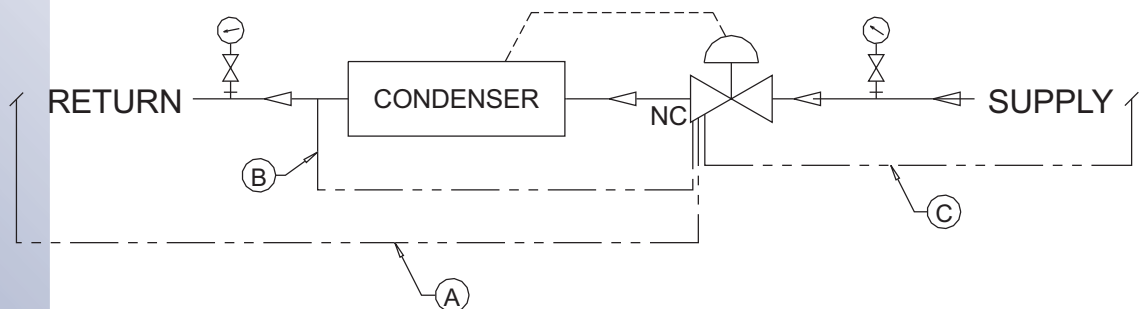


PILOT DRAIN LINE SHOWN AS SHIPPED.



LOW DP CONDITION AS DESCRIBED AND AS SHOWN BELOW

## 2-WAY HEAD PRESSURE REGULATOR TYPICAL APPLICATION



Pilot drain options "A", "B", & "C" are described above in Installation Instructions.

### OPERATION INSTRUCTIONS

PAGE 4 OF 4

- 1) Start incoming water flow and the system water will flow through the external tubing into the chambers above the diaphragm. The force exerted by the upper diaphragm, due to the larger effective area, will overcome that acting against the valve seat and the valve will close.  
  
2) To open the valve, sufficient actuating head pressure is required to overcome the tension on the power spring. The CR65 model is suitable for R-410a refrigerant pressures and is adjustable from 100-330 PSI. The valve controls the flow rate of water in response to changes in signal pressure (refrigerant pressure) to its pilot. The valve opens on increasing refrigerant pressure and closes on decreasing pressure. The refrigerant pressure acting upon the actuator exerts a force opposed by the power spring and modulating spring. Increasing refrigerant pressure overcomes the spring forces, and opens the pilot valve assembly. As the flow past the pilot valve exceeds the flow past the metering orifice or restrictor, the valve begins to open, compressing the modulating spring. As the modulating spring is compressed, its increased force reduces the pilot valve opening until the flow from the cover equals the flow into the cover. The main valve is now held at a fixed position that is determined by the refrigerant pressure. Decreasing refrigerant pressure results in the pilot valve lift decreasing, causing the valve to begin to close until the modulating spring force has decreased to match the change in refrigerant
- pressure actuator force. The “feedback” action of the modulating spring causes the main valve to hold a position proportional to the refrigerant pressure, and results in a very stable control valve allowing only the flow necessary for an efficient operating system.
- 3) To increase the actuating refrigerant head pressure, insert a pin or hex key into the adjustment nut and turn counter-clockwise. To lower actuating refrigerant head pressure, turn adjustment nut clockwise.
- 4) The metering orifice or restrictor stem (if equipped) controls water flow to the pilot and diaphragm and has been calibrated to give the proper flow throughout all pressure ranges normally encountered in such systems. If your valve is equipped with a restrictor assembly and not a metering orifice, occasional flushing and adjustment may be required if clogging occurs. To clean, remove restrictor cap and rotate the restrictor stem fully counter clockwise (with water flowing through the valve). This will flush out any particulate matter in the restrictor assembly. Then, fully rotate the stem until it contacts the restrictor seat. Next, rotate the stem 1/2 turn counter-clockwise. This should provide optimum results in most systems. If your system requires a different setting, adjust no more than 1/10 turn increments. If restrictor is not open enough, the valve will not close. If the restrictor is open too much, the valve will not open.

### MAINTENANCE INSTRUCTIONS

Water to the valve must be clean and free of foreign particles. If the water supply is dirty, a strainer should be installed upstream of the valve and cleaned as often as is necessary. Foreign particles, if carried through the pilot passages, may tend to obstruct the metering orifice or restrictor and prevent the valve from closing. External tubing

including the metering orifice or restrictor should be cleaned periodically.

It is recommended that the valve be disassembled and inspected for wear or corrosion at a minimum of 2 year intervals, depending on service conditions. Complete rebuild kits are available from Metrex Valve.