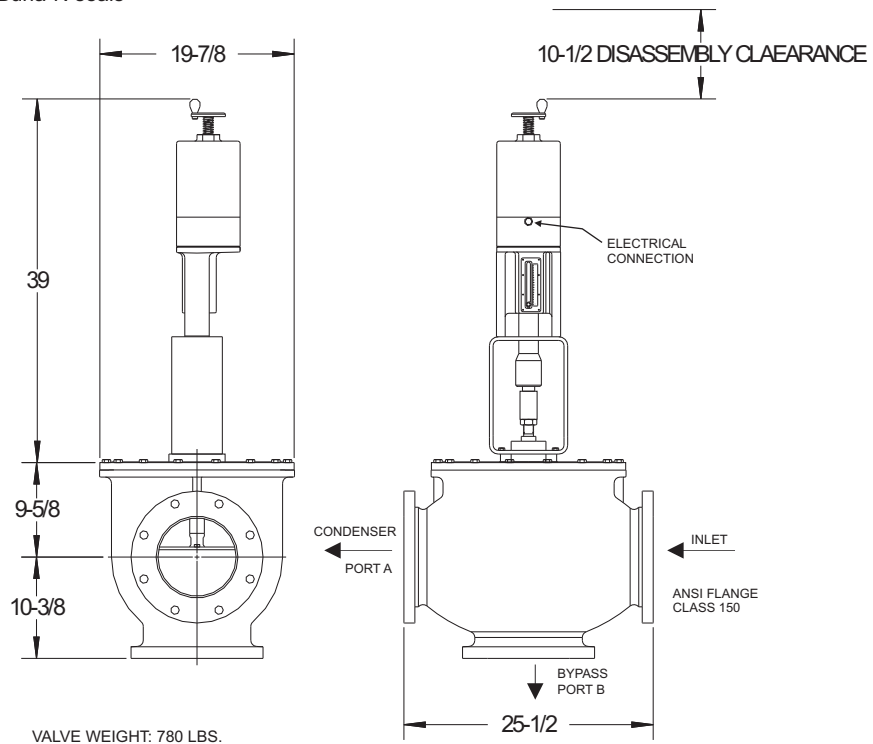


## SELECTION CRITERIA

- Seawater service
- 115 VAC, 60Hz, 1 PH, 1A
- 4-20mA, 0-5 VDC or 0-10 VDC Command Signal
- Cv = 670 min.
- Manual Override
- ANSI Flanges, Class 150
- 3-Way configuration
- 8" NPS
- 150 PSI water pressure rating
- 225 PSI proof pressure

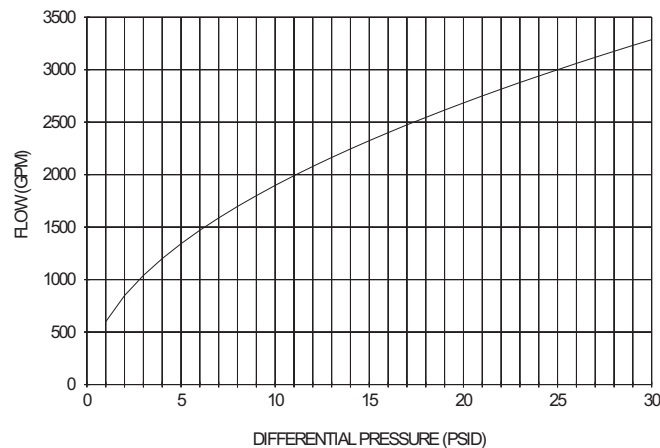
## CONSTRUCTION DETAILS

- Monel & bronze internals
- Buna-N seals
- Body material: Bronze (ASTM B61)



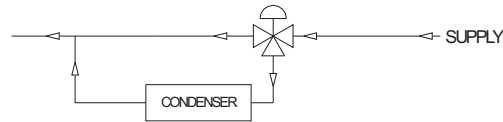
## FLOW DATA

DIFFERENTIAL PRESSURE VS FLOW  
(with valve full open)



## HEAD PRESSURE REGULATOR TYPICAL APPLICATION

- Typically used to modulate the cooling water through a condenser in response to a control signal from the condenser. Refrigerant head pressure is maintained over a wide range of operating conditions for a maximum system operating efficiency.



DIVERTING CONFIGURATION

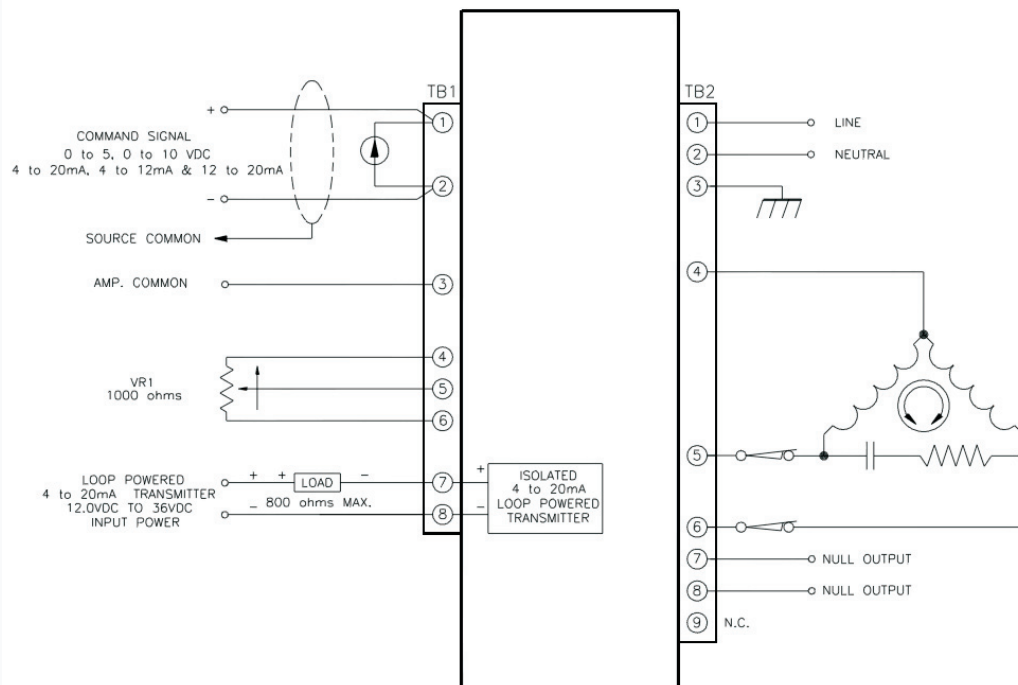
## INSTALLATION & OPERATION

Valves can be mounted in any position without affecting performance. However, consider the accessibility of the electrical connections and the manual hand crank.

The valve features a Rotork MV-1500 Series linear actuator. The MV-1500 Series is a full featured unit with the ability to accept various analog control signals.

The built-in servo drive amplifier controls the stepper motor's speed and direction. It also controls the actuator end limits, motor torque, deadband and 4-20mA transmitter.

The design offers smooth, highly accurate positioning, with positive position locks when not in motion.



TYPICAL WIRING DIAGRAM